



## MEET AQUA ILLI.

The world's smartest touch tap.

Innovative design, cutting-edge technology, and premium aesthetics.

The highest performing tap on the market today.



# FEATURES.

- ▶ Patented boiler design gives high volumes of boiling water
- ▶ Perfect water flow with zero splash
- ▶ Removable dispense nozzle for improved hygiene
- ▶ Designed to fill water bottles without the need for front extension
- ▶ Plumbed-to-waste flush-fitting drip tray
- ▶ Safe dispense with a touch padlock feature
- ▶ Installed in modular form to fit into the tightest of spaces
- ▶ Pre-set fill volumes for any vessel and free flow options available
- ▶ Equality Act compliant controls available
- ▶ Touch or touchless modules available



## AVAILABLE FINISHES



SATIN BLACK CHROME

### CAPACITY

High

Ultra high



### BOILING

PER HOUR

up to **45** litres or **180** cups

up to **90** litres or **180** flask/tea pots



### CHILLED / SPARKLING / AMBIENT

PER HOUR

up to **45** litres or **180** glasses

**60+** litres or **240+** glasses

\*Based on the following measurements: 1 cup/glass = 250ml & 1 flask/tea pot = 500ml

## TALK TO US

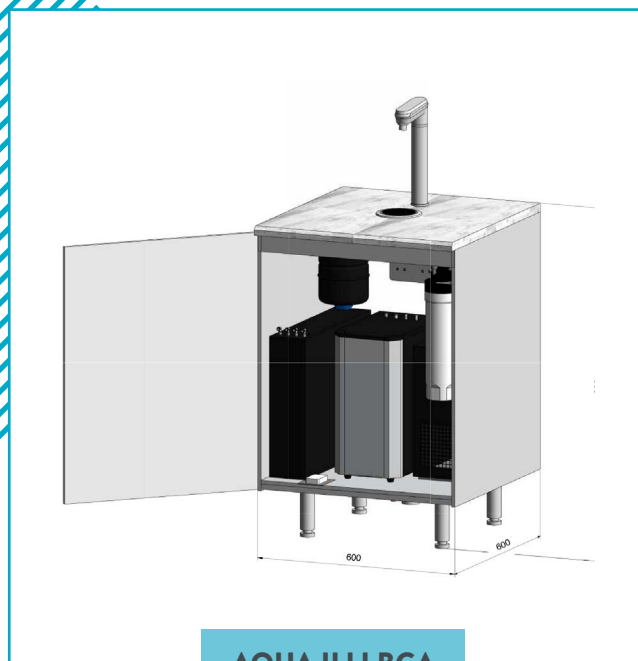
London showroom: 1 New Street, London, EC2M 4TP

[www.everythingwater.com](http://www.everythingwater.com) | 01442 957 897 | [sales@everythingwater.com](mailto:sales@everythingwater.com)

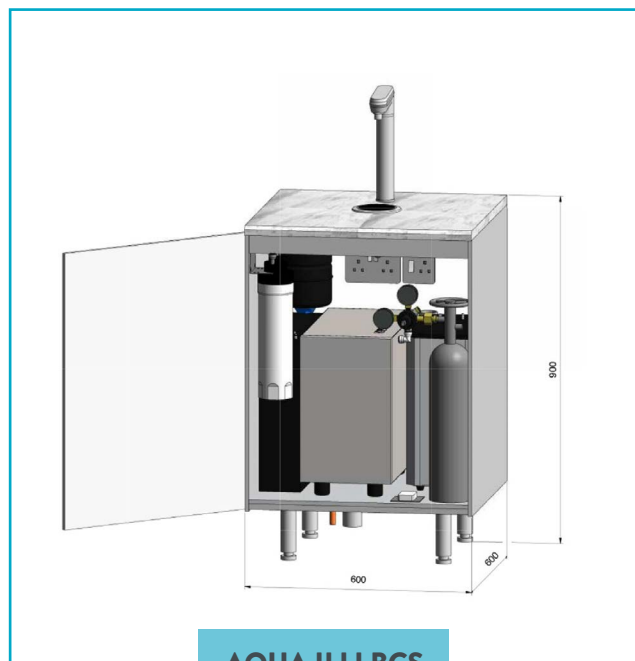
# DIMENSIONS.

Undercounter units and dispensers.

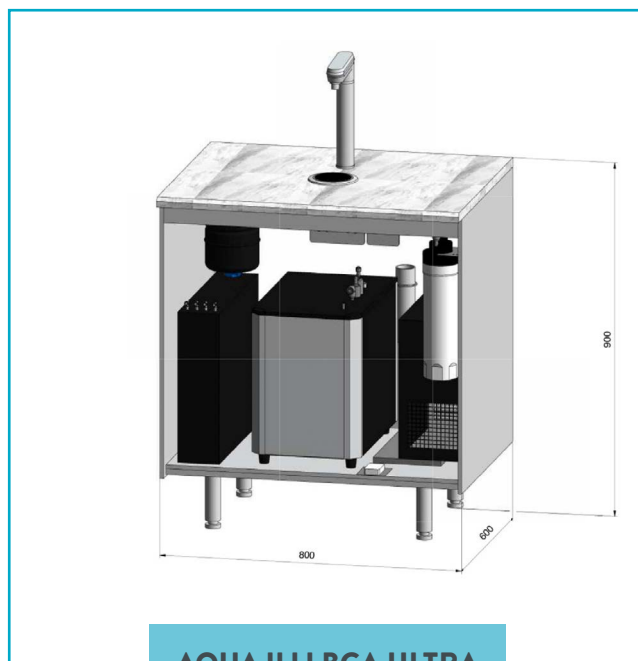
B - boiling, C - chilled, S - sparkling, A - ambient



**AQUA ILLI BCA**



**AQUA ILLI BCS**

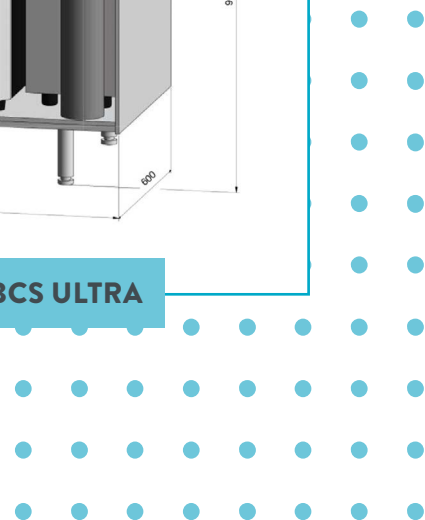


**AQUA ILLI BCA ULTRA**



**AQUA ILLI BCS ULTRA**

Other dispense options are available on request



# PRE-INSTALLATION SERVICE REQUIREMENTS.

1

## WATER.

No. 1 x Potable cold mains water supply terminating in a 15mm Ballofix isolation valve.

Minimum water pressure required:  
2.5 BAR.

Minimum water flow rate required:  
300 L.P.H.

Please Note: The site cold mains water supply must be microbiologically safe.

2

## POWER.

No. 3 x 220 - 240V ac 50Hz Single switched 13A power sockets.

### **AQUA ILLI CHILLED STILL & HOT:**

Water System Power Load: (Peak Time):  
8.0Amps – 1750 Watts.

3

## WASTE.

No. 1 x 40mm upstand trapped waste supply.

### **VENTILATION:**

The base cabinet that houses the water cooler requires adequate ventilation, the ambient air temperature inside the base cabinet should not exceed 32°C. No objects should be placed on or around the water cooler.

Base cabinet ventilation options are available on request.

### **CO2 GAS:**

(For Sparkling Systems Only) Food grade CO2 bottle type E290 is to be provided by the operator (2 kg, 6 kg or 10kg). The CO2 bottle must be located as far as possible from any heat sources.

The CO2 gas bottle should be sited in an upright position and secured with a safety strap.